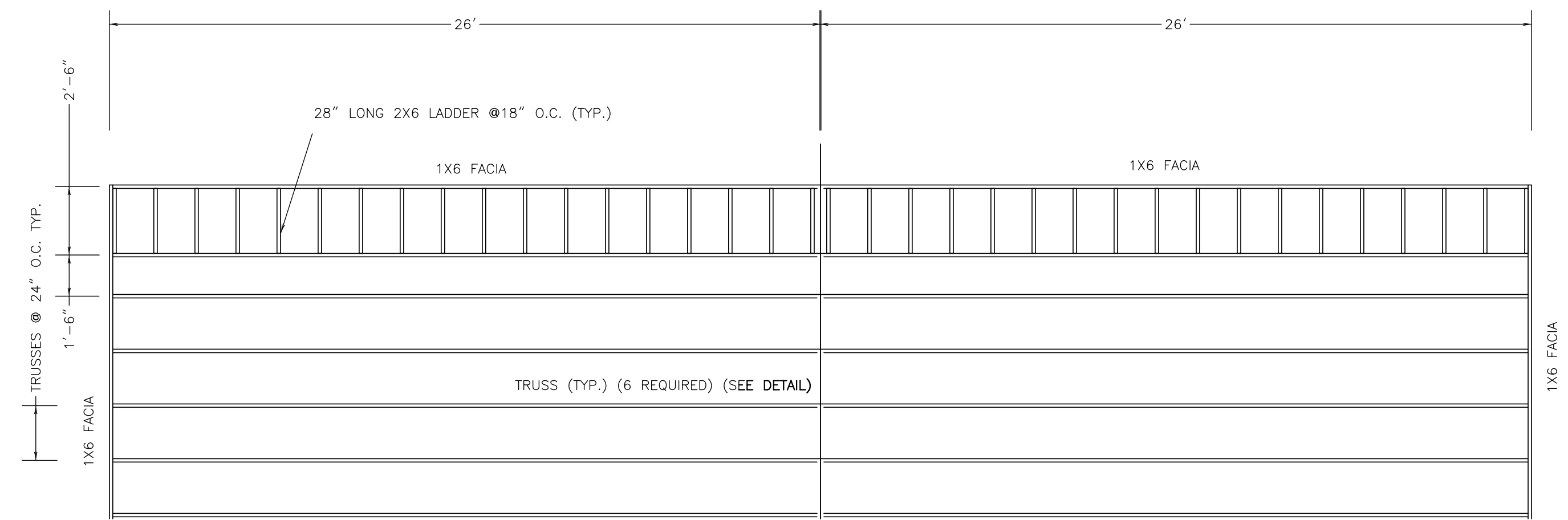
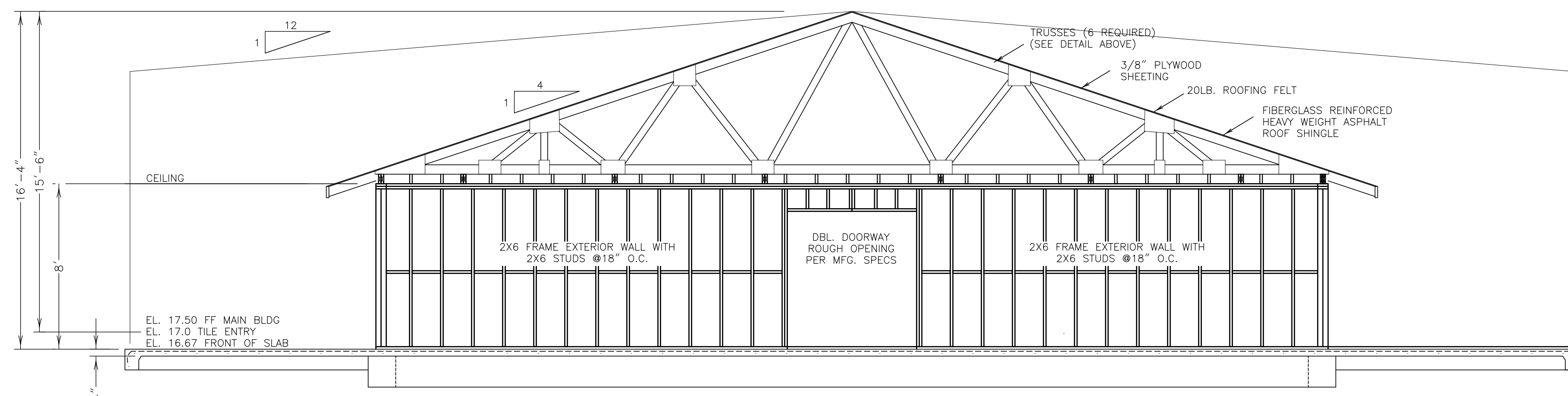


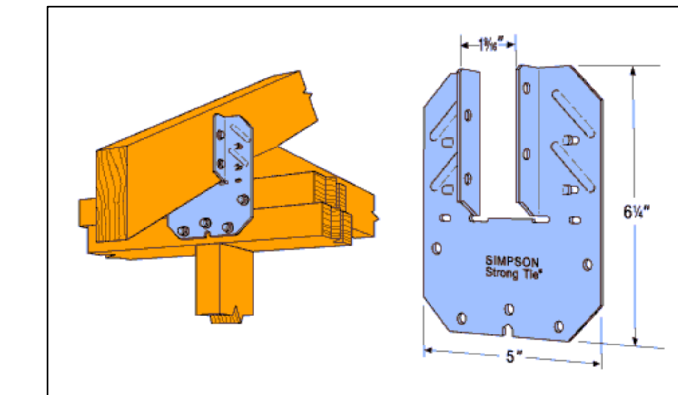
**TRUSS LAYOUT**  
SCALE: 1/4" = 1'-0"



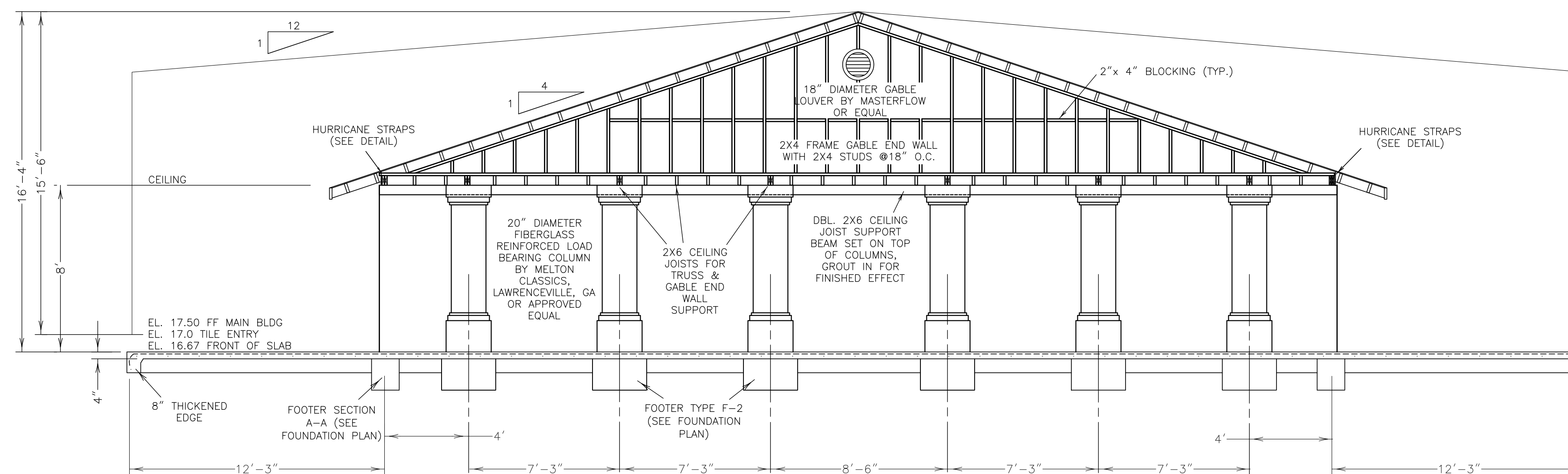
**ROOF FRAMING PLAN**  
SCALE: 1/4" = 1'-0"



**FRONT ELEVATION SECTION B-B**  
SCALE: 1/4" = 1'-0"



**HURRICANE STRAP DETAIL**  
N.T.S.



**FRONT ELEVATION SECTION C-C**  
SCALE: 1/4" = 1'-0"

**David P. King, Jr**  
**ARCHITECT**

5970 SW FIRST LANE  
OCALA, FL 34474  
VOICE 352.873.3737  
FACSIMILE 873.0737

REGISTRATIONS:  
STATE OF FLORIDA  
STATE OF GEORGIA

AR 12,999  
5044

**FRONT ADDITION-SHEET 2**  
FOR  
**JESUSIS! MINISTRIES, INC.**  
**DINING HALL/ OFFICE COMPLEX FACILITY**

BY  
**Many Waters Resource Network, Inc.**  
11445 Honey Jordan Point  
INGLIS, FLORIDA 34449 (352) 447-5691

CATHERINE LAWHUN, Contract Administrator (888)-570-1344  
cell: (352)-302-3372 email: teams@manywaters.org

5/21/06

SHEET 2 of 3